



ADVANCED BLUE BOX

A lack of staff has prevented the newsletter from being published as often as we would have liked. However, we are attempting to remedy this situation by opening a New York office where prospective volunteers can help to put out the newsletter. In addition, readers can come in to ask questions, donate articles and information, obtain subscriptions and back issues without using the mails, and meet other readers. Due to the sensitive nature of our publication, we must insist that no materials of an illegal nature accompany you when you visit us. Until further notice the office will only be open at the hours and days listed below.

Address: 1201 Broadway (Between 28th and 29th Street)
Room 608
New York, N.Y. 10018

Many readers have difficulty obtaining parts for our projects in TAP. Most parts can be obtained from mail-order companies such as those below. To read their catalogs is an education in itself.

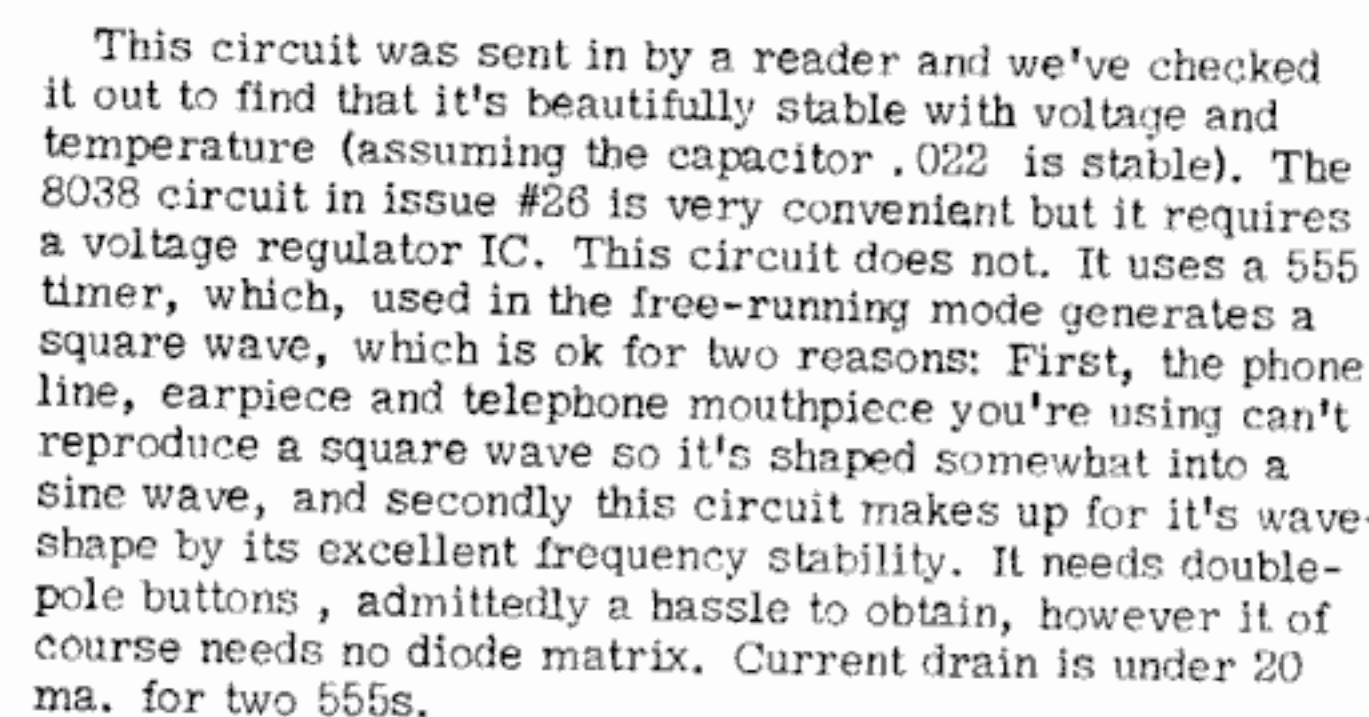
- Babylon Electronics, P. O. Box J, Carmichael, Ca. 95606
- B&F Enterprises, P. O. Box 44, Hathorne, Mass. 01837 (617)532-2323
- Burstein-Appliecke, 3199 Mercier, Kansas City, Mo. 64111 (816) 531-5614
- Dial-Key, P. O. Box 126, Thief River Falls, Minn. 55701
- H. J. Knapp Co., 3174 9th Ave., S.W., Largo, Fla. 33540 (813)594-0034
- Lafayette Electronics, 111 Jericho Tpke., Syosset, N. Y. 11791 (516)821-7700
- PolyPaks, P. O. Box 942, South Lynnfield, Mass. 01940 (617) 245-3829
- Solid State Systems, P. O. Box 773, Columbia, Mo. 65201 (314)443-3673

TAP has courses on Basic Electricity that are easily understood, no matter how little knowledge of Electronics you already have. You learn by building useful projects and experiments such as those in TAP. In fact, you should be able to build any project in TAP after 6 courses, which are 50¢ each (free if you can't afford it). 4 courses are available now, A-Basic Electricity, B-Alternating current, C-Basic Phones, and D-Amplifiers, with more coming soon. We urge you to send for them if you want a quick education in electronics.

YOU CAN HELP TAP

If you can contribute any information that you think other readers would be interested in, please do so. TAP readers are the main source of our information. You can help by meeting employees of phone and power companies, alarm places, etc., and asking them about questions other people raise in the newsletter. Be sure to get details and maintain contact in case you have additional questions. Most employees of these companies would be glad to screw their boss and they'd probably be interested in TAP, too. We hope that a lot of you will gather information so we know what the scene is like in your area and the country and Canada. We also need info on the following:

- Automatic Blue Boxes-With info about where they're necessary.
- Vending Machines-Loops, getting stuff, etc.
- Locks-New code books, picking Medeco, Sargent Xesco, Trico, etc.
- Radio-Setting up your own Station, Schematics, legal stuff, jammers, etc.
- Burglar Alarms-Holmes and other central station alarms, bypassing, electronic keys and picking, etc.
- Also, Manuals, Computers, Clocking, and Chemistry.



Approximate value for R_t (Use trimmers)

Hz	R_t
700	42k
900	35k
1100	28k
1300	24k
1500	22k
1700	18k
2000	12k

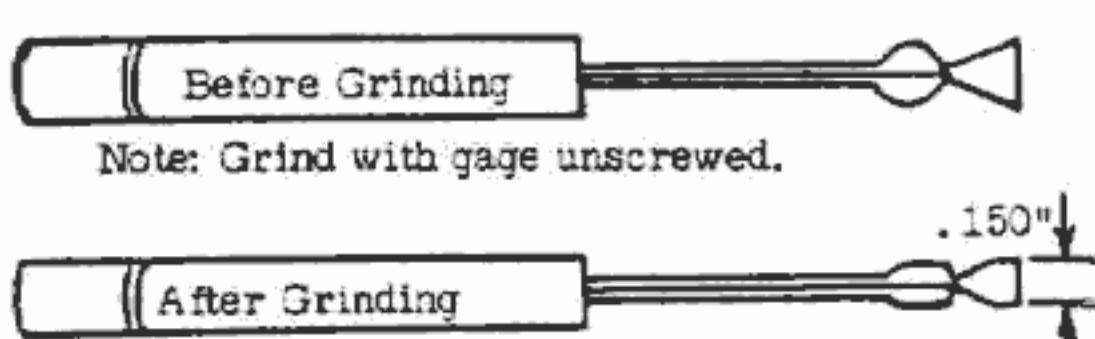
For example: 700 Hz - use 50k trimmer pot, 10 or 20 turns, or else use a single turn 5k or 10k pot in series with a resistor, so that the center of the pot(1/2 the value) plus the resistor equals 42k. Thus a 10k pot at its center is 5k, plus 37k = 42k.

Build two duplicate circuits, connect outputs, ground, and power. Can drive a telephone earpiece strongly. Remove the varistor dual-diode on the earpiece before using.

© Youth Hot Line Reports, Inc. 1975
Movement groups may reprint without permission with TAP's address included, and please send us a copy of reprinted work. WARNING: We will prosecute violators.

Letters From Readers

Dear TAP,
A modified Starrrett 820B small hole gage - available from most machinist supply companies - is an effective key for the rollersmith lock (see issue #26 and #23). Accept no substitutes - General makes a similar tool but it is of lower quality and may require a special order. The gage is hardened steel, so you'll have to use a small bench grinder, not a file, to reduce the diameter of the ball halves and come to about .150" (That's one hundred and fifty-thousandths of an inch) undersized. Finish grinding by hand on a bench stone until it just enters the hole. Insert all the way, tighten, and retract it, and Voila! The lock is opened.
The gage costs about \$7 and can be sold at a nice profit. Be sure to grind the manufacturer's name and number off the gage to insure its anonymity.
Mr. Phelps
Advisable Missions Force



Dear TAP,
A good way to nail those anti-phone phreak manufacturers is to go to a pay phone and call one up. It is not necessary to pay. Instead, simply call the operator and tell her that you just dialed a wrong number. In most cases, if you are convincing, she will connect you. When the company answers, have nice long talk about how good you think their device is to protect life, limb and property. Sound sincere, and stay on for as long as possible or until an operator comes on. Almost always, after using the 'wrong number' approach, the operator will forget about you, and by the time she remembers, you will already have run up a huge bill (staying on for an hour across country will come to over \$20). When you think you must hang up, making sure you have left no clue to your identity. The operator will call back, and ask you to deposit an amount equal to GM's

yearly sales. By this time, you will be long gone, so guess who gets stuck with the bill? That's right, the good old manufacturer!

NEW JERSEY

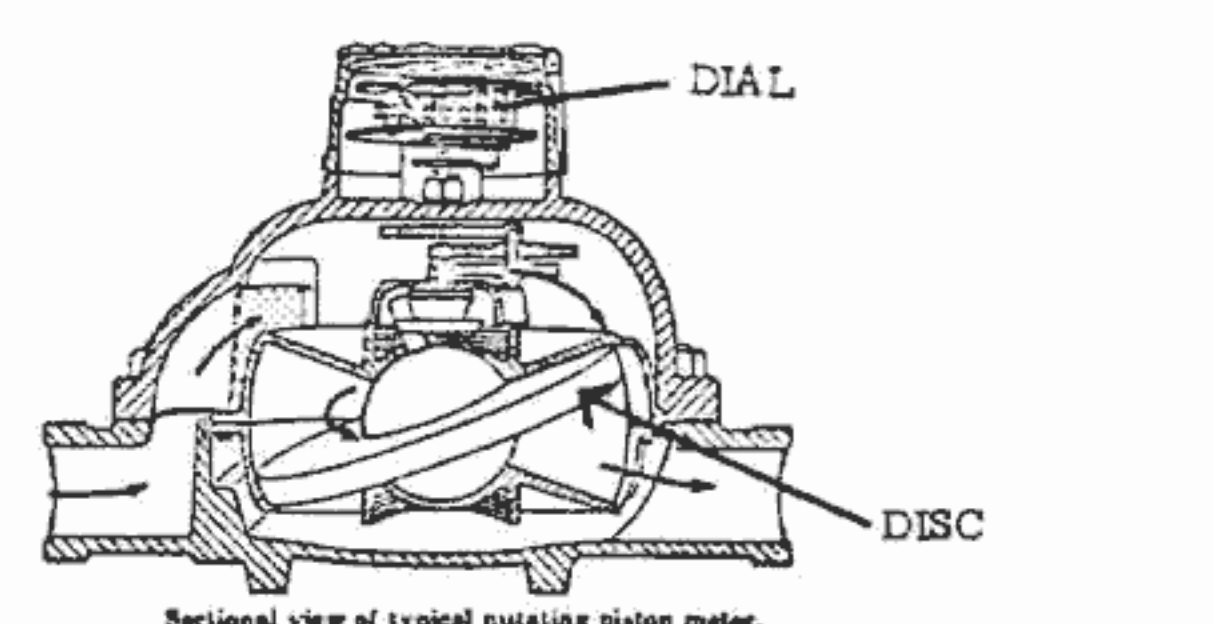
Dear TAP,
Wisconsin Telephone Newline is a pretty typical Telco newline, except they have a mania for phone phreaks. They always have the latest on ousts across the country, as well as up-tight references to publications they think are out to subvert them. (414) 678-3511. Unfortunately, it is souped and you get charged if calling from outside 414 area. The info is almost worth it.
Milwaukee Ring-back- 971, wait for tone, dial 6 and hang up. Loop suffix for 414 area is XXX-0010 & 0011. They've been closed for a year but someone gets sloppy once in a while.
There's a magazine called Amateur Radio 73. It's a scam magazine supposedly published in the Northeast and distributed by ham dealers. The June 1975 issue has an article entitled "Inside Ma Bell" which (according to Wis. Telco newline) gives "precise technical details on blue box construction." I've searched for a copy but they were gone quick. You may have better luck in a library.
Incidentally Pacific NW Bell is using the magazine for \$10,000 for distributing it in their area! Freedom of the Press? Shit.

INDIANA

I "have heard" that some criminally insane persons buy coin folders made for coin collectors and use the quarter and dime size cardboard discs in these as slugs. Seems these cardboard discs work in the "slide-in" type coin acceptors used in Laundromats and on small vending machines. Apparently they even work in the "slide-in" acceptors that have magnets to reject metal slugs. Although these people have to bend around for the "wood-grain" type folders with the cardboard discs still in them, that doesn't seem to deter them.

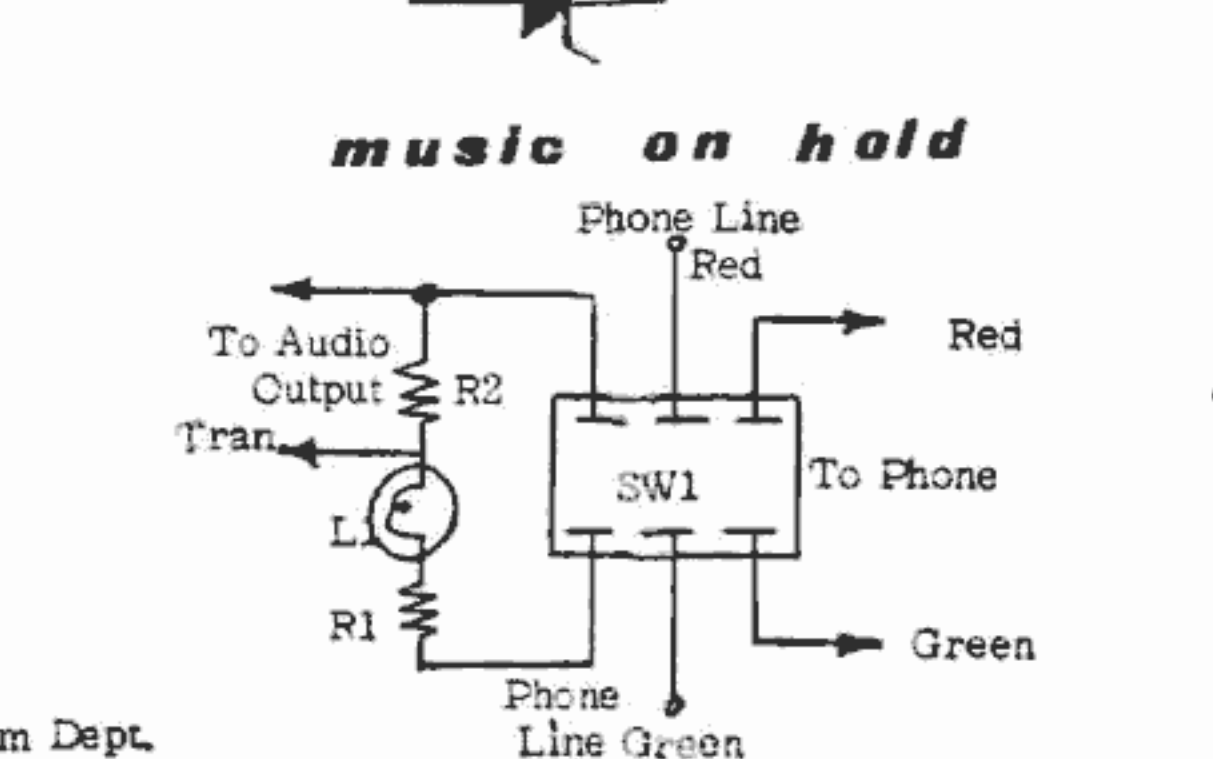
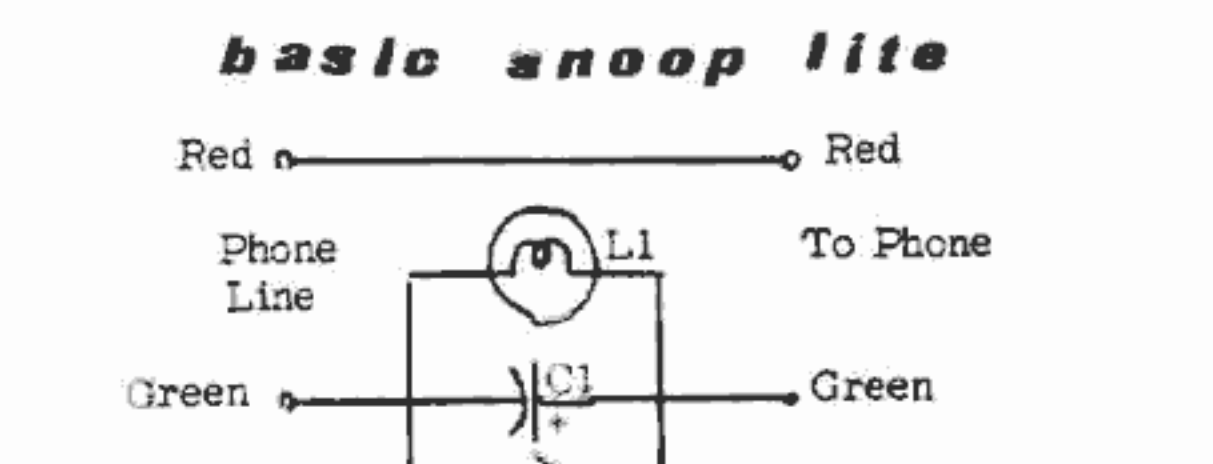
Dear TAP,
Shown below is a rotating disc flowmeter. This is the type used in gas pumps, fuel oil meters and to measure water used in your house. It is usually found under a round steel plate that says "water" which is located in your yard or in the street, etc. It is held together with 6 or 8 bolts around its circumference. When these bolts are removed

everything in the meter can be removed. This is a positive displacement meter which means for every cycle or revolution of the disc a fixed amount of water is transferred - registered on the dial. The fixed amount of water is trapped in a sealed fixed space and carried thru the meter by movement of the disc. Tell your readers that it is illegal to do this but if you were to shave or grind off 1/8" off the outside circumference of the disc and then put it back in, a large amount of water will pass through without registering on the dial. This results in a large savings on



water bills. Remember that failure to put the disc back in will result in no water registering and the meter reader will get suspicious unless you tell him that you've stopped taking baths.

Please print my article cause I always wanted to get something published. Yours,
BALTIMORE



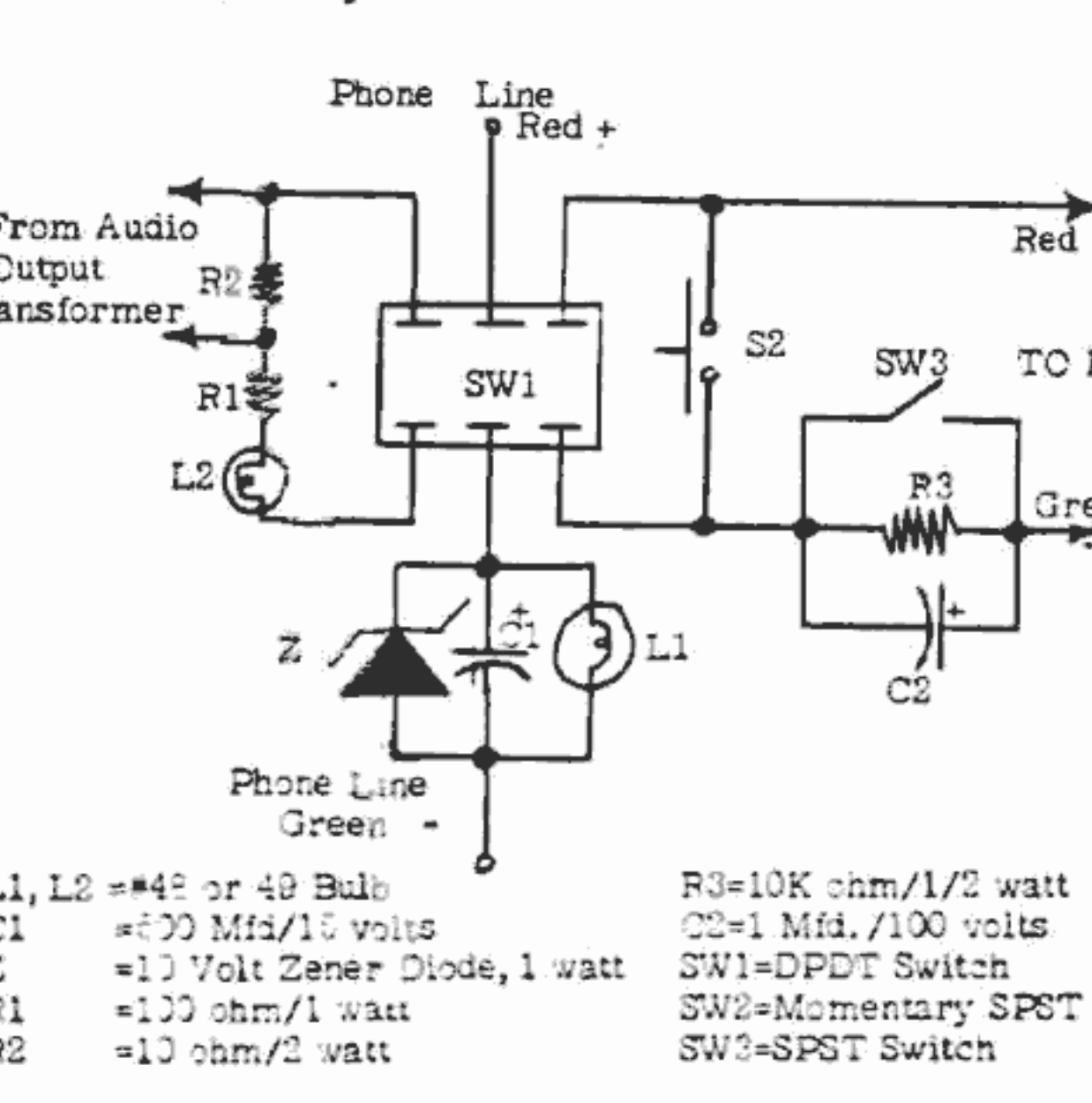
You're reading TAP because you want to smash the State, right? Want to abolish monopolies, right? Believe you have the right to do whatever you want so long as you don't force or fraud against - other in - dual? Would you believe there's a political party feels the same way? It's called the Libertarian Party and has chapters in most "states". Many of the members may seem moderate to us boom-blowing radicals, but they're the only game in town. Headquarters are at 550 Kearny St., San Francisco, Ca. 94108. Tell them you read about them in TAP.
"Thomas Jefferson"

CORRECTED SNOOP LITE

The Snoop Light article in issue #19 listed incorrect values for the bulb and capacitor. The bulb is a #48 screw base or a #49 bayonet base, both 2 volts and 50 ma. The capacitor is a 500 mfd. at 15 volts. The complete circuit operation is as follows: When the phone is on the hook 48 volts DC is across the red and green phone wires. Since the phone is drawing no current now, the snoop light (in series with the green negative line) does not light. Ringing is a 90 volt AC 20 Hertz signal superimposed on the 48 volt phone line. The bulb's cold resistance is small so appreciable voltage develops across it, so it remains unlit. When you pick up, the bell is switched out of the circuit and a large surge current flows thru the line and bulb causing it to light brightly. This large surge is caused by the low 100 ohm phone resistance being switched across the phone line. If you pick up during the ring the voltage is 48 plus 90 volts AC, and so this can be quite a surge. The capacitor opposes the voltage change and helps absorb the surge of current. The bulb will momentarily brighten if you pick up during a ring, so to increase bulb life only pick up between rings. If the bulb goes out while you're talking the phone will go dead. To prevent this a zener diode (5 to 10 volts, 1 watt) is added. When the bulb burns out 46 volts is across the zener and it conducts. The zener does not let the voltage across the capacitor exceed 10 volts so the capacitor is protected. Thus a 15v capacitor can be used, instead of 50v, saving space and money.

Remember, the snoop light is not a phone tap indicator, it only indicates that all extensions are hung up. It will not work on a Black Box call. If the snoop light is connected before a hold button it will also light up on hold. The hold resistor is 100 ohms 1 watt. If you by accident want music on hold add a 10 ohm resistor (2 watts) in series with the resistor and bulb. Connect the audio output leads of a radio or stereo with Transformer output to the 10 ohm resistor instead of the speaker it normally goes to.

complete circuit



- L1, L2 = #47 or 48 Bulb
- C1 = .02 Mfd/15 volts
- Z = 10 Volt Zener Diode, 1 watt
- R1 = 100 ohm/1 watt
- R2 = 10 ohm/2 watt
- R3 = 10K ohm/1/2 watt
- C2 = .01 Mfd/100 volts
- SW1 = DDPDT Switch
- SW2 = Momentary SPST
- SW3 = SPST Switch

FACT SHEETS - 25¢ each

- 1-Credit Card Calling Hints
 - 2- Receiving Long Distance Calls Free (Same as Issue 11 for General Telephone Co. Customers instead of Bell Telephone Co.)
 - 3-Displayed Red Box
 - 4-2800 Whistle Perfector - 15¢ each
 - 5-Dual tone oscillator
 - 6-Anti-Bell Baiton-50¢/10/\$3
- Steal This Book-\$2.25
Monopoly - \$1.20
- DESTRUCTORY ASSISTANCE-Free-Send us info and a stamped, self-addressed envelope and topics you would like to trace info for. Send for our free list of destructive assistance topics.
- SUBSCRIPTION- US Bulk- \$2 (Approximately 10 Issues per year)
Canada - \$3.50
Foreign- \$4.50
US First Class-Add \$1.50 (Total \$3.50)
(Envelope)

BACK ISSUES - 50¢ each

- 1-Extensions, Conference Switches
- 2-Blue Box Story and Able on Ripoffs
- 3-Telecommand Story
- 4-Pay Phone Issue
- 5-Blue Box 1 - OBSOLETE
- 6-Blue Box 2 - OBSOLETE
- 7-Tuning your Organ
- 8-Credit Card Calls/1974 Code
- 9-Super Duper Project (Issue 11)
- 10- Same as 9 (obsolete)
- 11-Receiving long distance calls free
- 12-Blue Box Plans
- 13-International calls/Box plans
- 14-International calls/AT&T papers
- 15-1973 Credit code/2 network
- 16-Red Box Plans
- 17-Red Box/Line Relay
- 18-Call Stopper
- 19-Snoop Light
- 20-Cheese Box
- 21-Automatic Phone Tap
- 22-Answeroo
- 23-Free Electricity
- 24-Fraud Detection, Index, 1974 Code
- 25-New Red Box/Free Gas
- 26-New Blue Box
- 27-Free Electricity
- 28-Computer Bills

Send Check or Money order only to TAP
Address: Room 504, 152 W. 42 St., N.Y., N.Y. 10036
(This is a Mail Drop only)

Each Course 20¢
A-Basic Electricity B-Basic Phones
C-Basic Phones D-Amplifiers

Foreign Codes

Australia 61	Leeds 532	Lyons 78	Kowloon 3	Cape Town 531
Adelaide 82	Wales (Cardiff) 222	Marseilles 91	Lamma 982	Durban 44
Bristaine 72	Sussex 4352	Menton 93	Ma Wan 986	East London 11
Cambridge 62	Denmark 45	Monte Carlo 93	New Territory 0	Johannesburg 11
Hobart 2	Aalborg 8	Montpelier 67	Sha Tin 61	Port Elizabeth 41
Melbourne 3	Arhus 6	Nantes 40	Tai O 5985	Pretoria 12
Perth 92	Copenhagen 1	Nice 93	Tsun Wan 040	Spain 34
Sydney 2	Esbjerg 5	Paris 1	Israel 972	Barcelona 3
Austria 43	Grenaa 6	Roubaix 20	Haifa 4	Bilboa 40
Graz 3122	Helsingor 3	Rosen 35	Jerusalem 2	Cadiz 56
Innsbruk 5222	Herning 7	St. Tropez 94	Nazareth 65	Granada 58
Klagenfurt 4222	Horsens 5	Strasbourg 98	Tel Aviv 3	Madrid 1
Linz 1222	Kalundborg 3	Toulouse 61	Italy 39	Malaga 53
Salzburg 6222	Kolding 5	Vouvray 47	Bologna 51	Palma De Mallorca 71
Vienna 222	Nordborg 44	Germany 49	Brescia 30	Ceuta 56
Belgium 32	Nyborg 9	Berlin 311	Florence (5573)	Seville 60(54)
Antwerp 03	Odense 9	Berlin Military 311+819	Genoa 10	Toledo 25
Brussels 2	Randers 6	Switchboard 81	Milan 2	Valencia 62(63)
Charleroi 7	Ringsted 3	Edinburg 724	Japan 81	Sweden 46
Courtrai 56	Roekilde 3	Frankfurt 151	Fukuoka 92	Gothenburg 31
Genk 9	Silkeborg 3	Hamburg 411	Hakone 46	Karlstad 54
Ghent 9	Skalskator 3	Hanover 511	Kawasaki 44	Kristianstad 44
Leuven 16	Svendborg 9	Heidelberg 621	Kobe 78	Lund 46
Liege 4	Thyboron 7	Mannheim 621	Kyoto 75	Stockholm 8
Lokeren 9	Vejle 5	Mannheim MIL. 621+730	Mob 78	Uppsala 18
Mous 65	Viborg 6	Switchboard 81	Nagoya 52	Switzerland 41
Nienchen 15	France 33	Munchich 811	Osaka 6	Berne 31
Namur 81	Amiens 22	Nurnberg 911	Tachikawa 425	Geneva 22
Ostend 59	Antibes 93	Stuttgart 711	(Mil. Switchboard) 42362	Interlaken 36
Turnhout 14	Azayrleidean 47	Stuttgart 711	Yokota Swbrd. 42652	Locarno 33
Velreins 87	Barritz 59	Greece 30	Tokyo 3	Lucerne 41
Walengem 56	Bordeaux 56	Agrinion 641	Yokohama 3	Montreux 21
Wavre(Waver) 10	Boulogne 21	Athens 21	(Mil. Swbrd.) 46251	St. Moritz 82
Zeebrugge 50	Brest 98	Corfu 661	Netherlands 31	Zurich 1
British Isle 44	Calais 21	Delphi/Dhelfhol 265	Netherlands 31	Venezuela 58
Burningham 21	Cannes 93	Larissa 41	Delft 15	Barquisimeto 51
Coventry 203	Cherbourg 33	Piraeus 61	Goutou 1820	Caracas 2
Liverpool 61	Clermont Ferrand 73	Palra 21	Goussier 23	Maquetta 31
London 01	Dieppe 35	Rodos 241	Haarlem 70	Maricao 61
Manchester 61	Dijon 86	Thessaloniki 31	Rotterdam 10	Merida 74
Southampton 703	Dunkirk 20	Hong Kong 852	Utrecht 30	Puerto la Cruz 81
N.I. Belfast 232	Grasse 93	Cheung Chow 981	Norway 47	Puerto Ordaz 88
Scot. Edinburgh 31	Grenoble 76	Clear Water Bay 329	Bergen 5	San Cristobal 76
Glasgow 41	Le Havre 35	Fan Ding 090	Oslo 2	Valencia 41
Prestwick 282	Lille 20	Hong Kong 5	South Africa 27	Valle de la Pascua 51

Published for informational purposes only by Youth Hot Line Reports, Inc.

TAP, ROOM 504, 152 W. 42 ST., N.Y., N.Y. 10036

BULK RATE
U. S. POSTAGE
PAID
Post No. 209
Great Neck, N. Y.

Phone TAP

While we're on the subject, we'd like to report that phone phreaks in the maximum security prison at Wastide Honor Ranch in Los Angeles have been accused of making long distance calls using counterfeit credit card numbers. The inmate was accused of running up \$900 in calls. The prisoner had the temerity to charge all his calls to the China, California Municipal court. Another inmate, according to sheriff deputies, used the phone to call Washington and talk personally to Supreme Court Justice William O. Douglas shortly before Douglas suffered his stroke. And a third inmate, according to police, was actually using the prison phone to talk to friends on the outside to plan robberies. The scheme was discovered when the inmate called a wrong number - that of a police lieutenant.