

Ave Atque Vale

For those of us who aren't latin scholars, that means "Hail and Farewell!" I co-edited TAP for 1 1/2 years...

Excelsior! (Higher) Jim Phelps

Update from England

Where CAMA and LAMA exist on your exchange, the operator will know the number you're on, so you can forget methods like giving the # of a large business (or your exchange) as your own number...

CB here is frenky. A friend who has a full wave aerial has been talking to Italian and Portuguese Amateur DXers. From 3:30 to 5:30 afterwards conditions are sometimes so good you can hear US truckers! That's 5000 miles on 4 watts!...

Bloody awful! PRS had the balls to show Valerie Perrine delightfully bare in Steam Bath, but I guess this was "really too much"...



AUG 1978

NO. 52

In my personal correspondence with Mr. Phelps, he has accused me of rightly (?) being an ego-maniac because I never mention him in TAP...

New Radar Gun To Become The Motorist's Foe

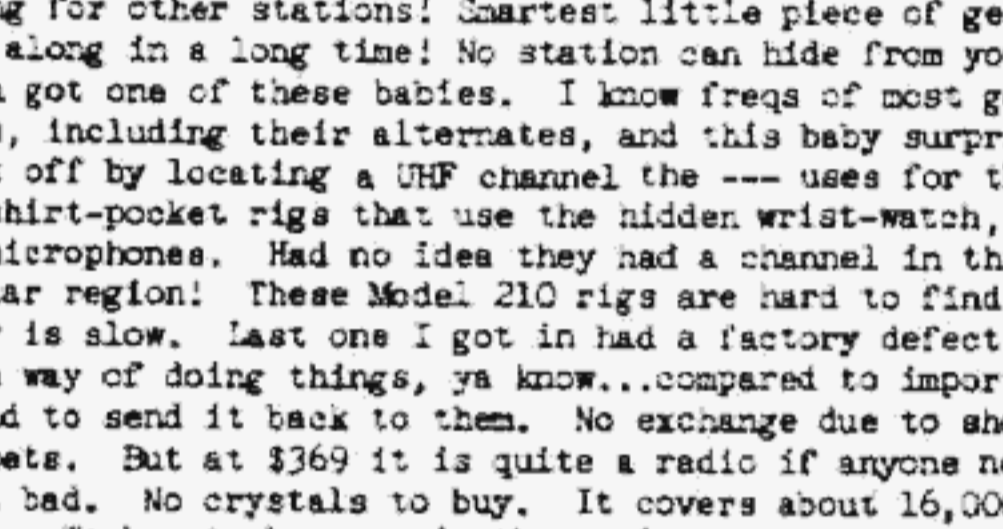
ST. PAUL, Minn. - The police have a new radar gun that is more accurate than the old one...

© Youth Hot Line Reports, Inc. 1978 - Do not make checks out to Youth Hot Line Reports, PLEASE! Movement groups may reprint without permission with TAP's address given with all credits. Please send us a copy of reprinted work. WARNING: We will prosecute copyright violators.

FORD'S BETTER BETT IDEA

Dear TAP, Just a quick letter to say "Keep up the good work". I just received your 3rd set of your magazine, and really enjoyed the material. Will put it to good use...

The diagram of the Model #7 Spark Coil is drawn from memory, so a few of the terminals may be misplaced...



Have you been enjoying Project ERC and accept the premise (as I do) that there are OTHER TOP GUNs besides the ONLY intelligent life forms in the galaxy...

Tom, Jim, or whoever - Got your last four issues promptly, thanks. WHAT A GREAT NEWSPAPER! This about Free Press! It is exactly what I have lived for...

"The Survivor" is excellent and extremely informative. It's a thriller that really got me. Volume 1 is \$6 and a subscription to Vols 1 & 2 is \$12...

Hi: I've gotten back into Amateur radio after being inactive for about eleven years, and it is amazing the progress that has been made in many things that should be of interest to phone freaks...

Dear TAP I was just rereading #39. I'll bet that if someone wrote the John Birch Society a nice letter (300 Concord Ave, Belmont, Mass) they'd be glad to help you "fight Communism" by sending you some of their "stamps"...

Wrote an amusing book to read. Try the "Viking Process" by Norman Hartley. It couldn't happen? Knowing the things AT&T has done, I wouldn't bet on that...

I wonder - could the push button light switch for an extension-plug door be used for an extension switch for an extension phone? That way if someone else used the extension, they couldn't forget to tap the switch in the "off" position when done...

Agent 038 Verrrry interesting! Whenever any of our readers can't locate a book mentioned in TAP, check Books in Print or Paperback Books in Print, available in almost any library and in most large bookstores JP

Information Wanted: Alright, technopeaks. We're interested in some info on the following: Pay cable TV; liberate video! HBO etc. What decoding methods do they use? 2600 Hz muting of calls: sources claim that by using this tone you can 'black box' calls. Is this true? Where? Microcomputers and fones: Recently saw an ad for IMSAI 8048 CPU which showed a picture of a home experimenter hooking it up to (gasp) his fone! Lots of fun could be had here - call forwarders, finding WATS extorsion codes, etc. What are you doing to spread the digital revolution? Blue and Black Box detectors/defeaters: How? Where? Rumors abound - What's this about tones being used to detect black boxes?

"Greasy Kid Stuff" Information Wanted: That's what all you superadvanced electronics types will call my request for info on a build-it-yourself inverter. 12V DC 100mA input and 110-115V AC 60Hz output, with 500-600 watt capacity...

Now Hear This! That's right! Now hear the MF Boogie Blues along with the comments of Captain Crunch, Joe Expressia, Al Bell, and even John Doherty (AT&T Service Chief). This one hour cassette tape is a recording of an interview that they recently made. The cost of this outrageous tape is \$2.00 plus 50¢ postage. Total: \$2.50.

JP

JP

JP

JP

JP

JP

JP

JP

JP

JP

JP

JP

JP

JP

JP

JP

JP

JP

JP

JP

JP

JP

JP

JP

JP

JP

JP

JP

JP

JP

JP

JP

JP

JP

JP

JP

JP

JP

JP

JP

JP

JP

JP

JP

JP

JP

JP

JP

JP

JP

JP

JP

JP

JP

JP

JP

JP

JP

JP

JP

JP

JP

JP

JP

JP

JP

JP

JP

JP

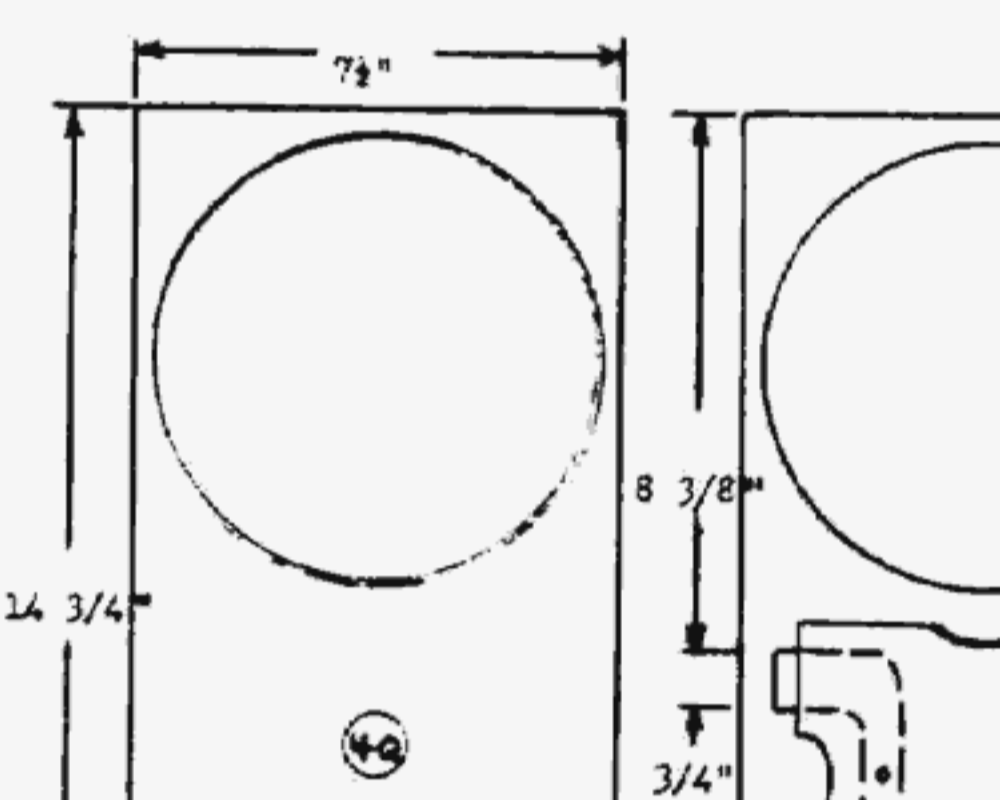
JP

JP

JP

Getting Inside NJ PSEG's Meter Box

We had an info request my back in Nov. 20-22 and just when we'd about given up, a reader came thru! Now I've finally written it up. This box is not too common, but for what it's worth, here's some info on it. It may be useful for entering similar boxes.



Fortress Alarm: Issue #30 is best received. Congratulations, PSEG now (1978) has fitted "sensitive" located paystations with an electronic "tapper device" which gives a silent alarm if any attempt to ripoff is made.

United States Senate Committee on Appropriations: We are always very careful to satetate our articles with "reconciling social value". For this reason, or possibly because I heard that someone had agreed to defend us on any charges of First Amendment violations, harassment has been minimal.

Advisable Misions Team: Thank you Mr. Phelps, Milton R. Young

Other weapons weighing less than 10 pounds can knock out a tank's speakers platform of automobile. The source of most of these weapons is the National Guard armory in the United States. Other sources are arms dealers who operate out of protected countries in the United States. One of the most popular weapons for terrorists is the AR-15 rifle. It is a cover version of the military M-16 rifle manufactured by Colt. It can be bought in the US by anyone.

Hi: I've gotten back into Amateur radio after being inactive for about eleven years, and it is amazing the progress that has been made in many things that should be of interest to phone freaks...

Dear TAP I was just rereading #39. I'll bet that if someone wrote the John Birch Society a nice letter (300 Concord Ave, Belmont, Mass) they'd be glad to help you "fight Communism" by sending you some of their "stamps"...

Wrote an amusing book to read. Try the "Viking Process" by Norman Hartley. It couldn't happen? Knowing the things AT&T has done, I wouldn't bet on that...

I wonder - could the push button light switch for an extension-plug door be used for an extension switch for an extension phone? That way if someone else used the extension, they couldn't forget to tap the switch in the "off" position when done...

Agent 038 Verrrry interesting! Whenever any of our readers can't locate a book mentioned in TAP, check Books in Print or Paperback Books in Print, available in almost any library and in most large bookstores JP

Information Wanted: Alright, technopeaks. We're interested in some info on the following: Pay cable TV; liberate video! HBO etc. What decoding methods do they use? 2600 Hz muting of calls: sources claim that by using this tone you can 'black box' calls. Is this true? Where? Microcomputers and fones: Recently saw an ad for IMSAI 8048 CPU which showed a picture of a home experimenter hooking it up to (gasp) his fone! Lots of fun could be had here - call forwarders, finding WATS extorsion codes, etc. What are you doing to spread the digital revolution? Blue and Black Box detectors/defeaters: How? Where? Rumors abound - What's this about tones being used to detect black boxes?

"Greasy Kid Stuff" Information Wanted: That's what all you superadvanced electronics types will call my request for info on a build-it-yourself inverter. 12V DC 100mA input and 110-115V AC 60Hz output, with 500-600 watt capacity...

Now Hear This! That's right! Now hear the MF Boogie Blues along with the comments of Captain Crunch, Joe Expressia, Al Bell, and even John Doherty (AT&T Service Chief). This one hour cassette tape is a recording of an interview that they recently made. The cost of this outrageous tape is \$2.00 plus 50¢ postage. Total: \$2.50.

JP

JP

JP

Bars and stripes: COLLETS, Ga (AP) - Georgia prison officials may have estimated themselves a few years ago when they decided inmates should wear blue jeans and cotton work shirts...

Address all mail and checks to: TAP, 152 W. 42 ST, ROOM 418, NY 10036

Bulk Rate: U.S. POSTAGE 7411 0 Permit No. 3 Manhattan, N.Y.

Downloaded from www.artofhacking.com