

### Still in Saigon

by Oz Y. Mander

This month's column is dedicated to the French underground guerrilla force Direct Action, hoisting the black banners of May Aloff once again, and to the Armenian Justice Commandos dispensing revolutionary justice to Turk pigs from L.A. to Ottawa to Ankara. "Extremism in the defense of liberty is no vice." --Barry Goldwater

**Bringing the War Home:** "Interesting, your Earth people practiced 40 centuries of organized violence, yet imprison those who employ it privately..." commented Mr. Spock dryly. And so we begin this month's lesson in advance assassination for spooks & malcontents, "Novel Uses for Paging Systems." These systems typically consist of a single freq. RF transmitter with touch-tone encoding device which can separately set off a number of "beepers," each beeper being triggered by a separate touch-tone key combination. These little marvels may be modified so that the transmitter operates off an auto cigarette lighter for mobile use. A beeper is then modified by removing the speaker and adding booster batteries and a trigger circuit. Connect to an electrical blasting cap in a lb. or 2 of C&V, voila, one has a very efficient and quite deadly remote-controlled bomb that any Mossad operative would be proud of. What will they think of next?

No one sent me the 1962 British patent (declassified in Feb/74 & then reclassified after a media uproar) for the nerve agent VX, that I requested some time ago. Interested death phreaks, however, may write to: Gary Robinson, Dept. of the Army, ATTN: DAEN-ZCE, Rm. 1E676 The Pentagon, Wash., D.C. 20310 (202-694-4269) and ask for Army Chemical Systems Lab publication: "Programmatic Environmental Impact Statement, Binary Chemical Munitions Program." This wonderful overview of American military death tech details the process of making VX by mixing 2 non-toxic substances, i.e. the binary method. This is the safest and easiest way to proceed for nations & individuals, though reasonable expertise & equipment are required, mortons need not apply. Quis custodiet ipsos custodes? We shall.

On the nuclear front, a reader informs me that of 2 books helpful to amateur nuke makers (mentioned in "The Curve of Binding Energy" by John McPhee), one "The Los Alamos Primer" has been withdrawn by the NRC, and the other, "Manhattan District History, Project Y, the Los Alamos Project" (LAMS 2532-V1 & -V2) cost a whopping \$46 for its 2 volumes. Two recent issues of "New Scientist" (26 Aug. & 2 Sept/82) contain 3 possibly useful articles on fusion devices and the mechanics of the neutron bomb.

The "firefly," described in "The Poor Man's James Bond" by Kurt Saxon, consists of a gelatin capsule filled with equal parts of sodium metal and calcium carbide, plus a single lead shot for weight. This is dropped in a car's gas tank, resulting in an incendiary explosion with the resulting destruction of the vehicle after a delay of 3 or 4 minutes. Field tests indicate guaranteed results that are quite spectacular if some water (say a quart) is added to the gas tank first. The "Bond" book is available from Atlan Formulators whose new address is: P.O. Box 373, Harrison, AZ 72601.

Starlight viewers from the manufacturer are available by writing: Litton, Electron Tube Division, Electro-Optics Dept., 1215 S. 2nd St., Tempe, AZ 85281 (ph.#: 602-968-4471).

**Media:** Locomanics Unlimited has moved (new address: P.O. Box 1197, Port Townsend, WA 98368). Their catalogue contains the largest selection of books for crazies I've seen and is \$2.

The Covert Action Information Bulletin (Box 5027, Wash. D.C. 20004; 202-265-3904) \$15/6 issues, \$20 Mex. & Can., \$25 foreign) and Counter Sply (Box 647, Ben Franklin Station, Wash. D.C. 20044; Quarterly, \$10/yr) both document the activities of various fascist intelligence agencies, most notably, the CIA. Fuck 'em all.

In a similar vein, the Privacy Journal (Box 8844, Wash. D.C. 20013; monthly; \$25/yr) tells how to keep what's left of it & how fast it's going.

For various drug publications write with an SASE: The 20th Century Alchemist, Box 3684, Manhattan Beach, CA 90266.

Lastly, a \$5 membership to the C.O.T.M. (Council of Ten Million, a right wing fringe organization), Box 91, Norborne, MO 64668, gives you 10-50% discounts on a wide array of publications carried by Salon Publ. Co. (Box 68, Norborne, MO 64668). Titles include many Desert, Paladin & Locomanics books, i.e., explosives, locks, etc.

Still in Saigon in my mind, this has been "Deep 'n Dirty" Oz (with con tributions from Agent Orange) reminding you that it doesn't take a weatherman to tell which way the wind is blowing. Venceremos!

### Beepers

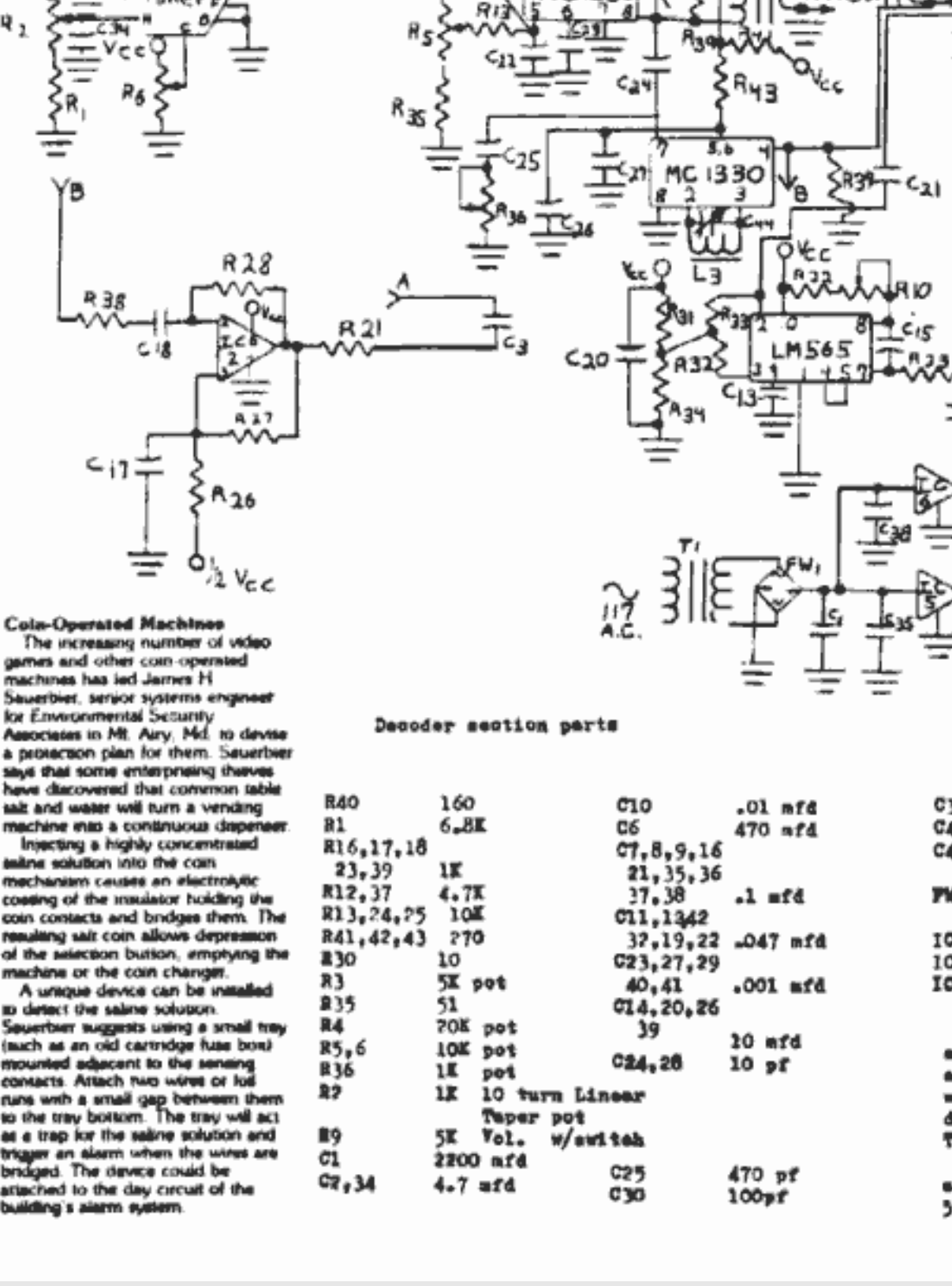
This decoder is used for unearthing pay TV that is broadcast over the UHF band (such as WTCH ch. 68). It is tunable from channel 25 up. The output is on channel 1 so even if you have an old model TV you can get pay TV for free.

**Set-up:**  
Plug the unit in and check pin of 105 for 15 volts and pin of 106 for 8 volts.

Remove power and install the rest of the ICs.  
Connect the output of the decoder to the VIF input of the TV. Tune the TV to channel 1.

Turn on and adjust potentiometer.  
Turn on the power on and adjust R7, R4 and R6 until you see the scrambled signal on channel 1.

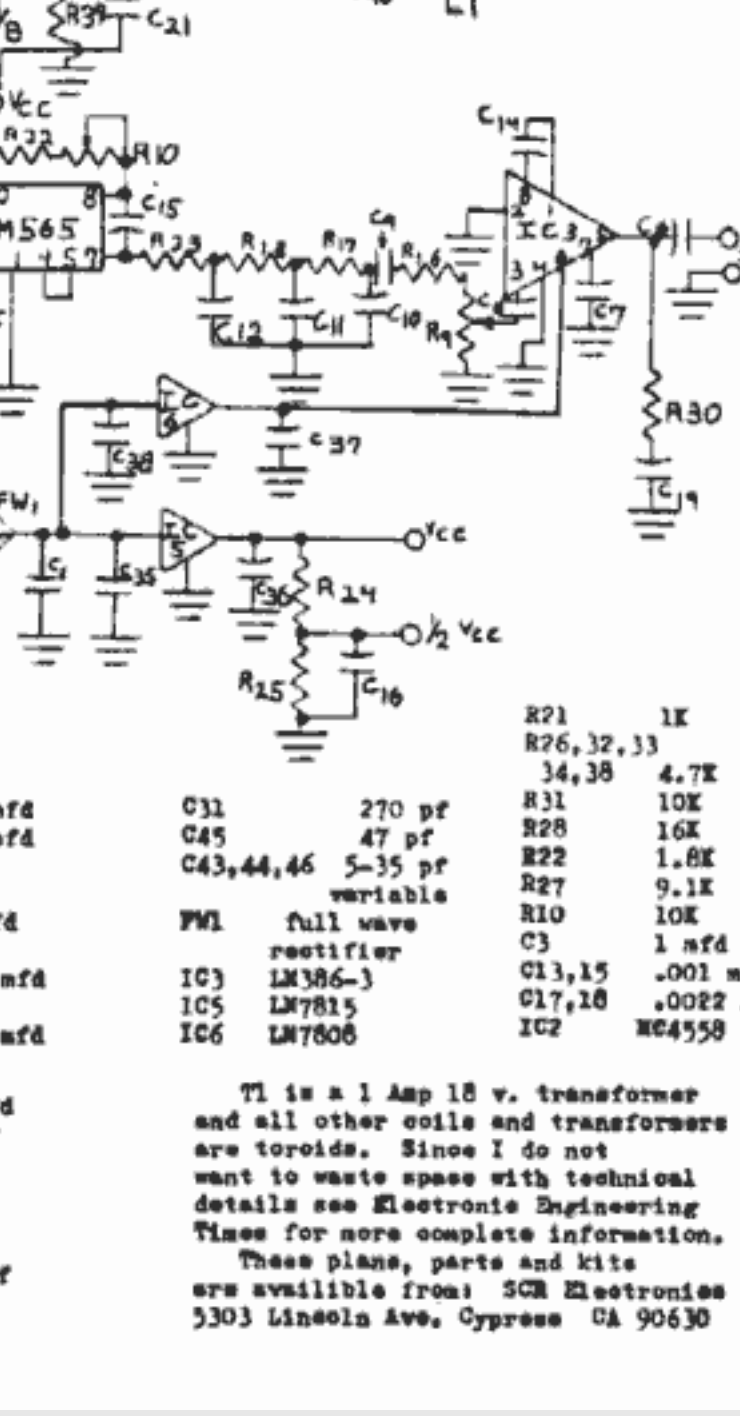
Peak R1 for the best picture.  
Turn R5 clockwise until you just start to get snow.  
Adjust G43 for best picture.  
Turn G44 until picture looks like it is about to deocde.  
Alternate between R5, G43 and G44 for a good deocded picture.  
Adjust G46 for a blank spot (no static).  
Turn R10 to deocde sound.



Color-Operated Machines  
The necessary number of video gates and other com operated gates has led James Sawyer, senior systems engineer for Environmental Security Associates in ME. Army Maj. Sawyer has discovered that common table salt (sodium chloride) is a video gate inhibitor. The machine is a continuous dispenser with a highly concentrated sodium solution into the color machine cassettes as the cassettes are loaded and bridges them. The resulting salt solution on the cassette buttons, emptying the machine as the color changes. A video gate can be installed to detect the salt changes. Sawyer suggests using a small tray (such as an old cartridge tape) mounted adjacent to the cassette connector. Attach two wires of the tape with a small cap between them. The tray will act as a trap for the salt solution and trigger an alarm when the solution is detected by the circuit of the building's alarm system.

### Illegal decoders being seized

PAINEFIELD — Area consumers are being alerted to observing and identifying illegal decoders for pay television service. A spokesman for the Federal Trade Commission (FTC) said that it is conducting a nationwide search for illegal decoders for pay television service. The spokesman said that he has received reports that some consumers are using illegal decoders to watch pay television programs without paying the full United States fee.



Decoder section parts  
R10 160  
R11 6.2K  
R12,17,18 1K  
R13,27 4.7K  
R14,24,25 10K  
R15 47K,43 70  
R30 10  
R31 5K  
R32 5K  
R33 5K  
R34 5K  
R35 5K  
R36 5K  
R37 5K  
R38 5K  
R39 5K  
R40 5K  
R41 5K  
R42 5K  
R43 5K  
R44 5K  
R45 5K  
R46 5K  
R47 5K  
R48 5K  
R49 5K  
R50 5K  
R51 5K  
R52 5K  
R53 5K  
R54 5K  
R55 5K  
R56 5K  
R57 5K  
R58 5K  
R59 5K  
R60 5K  
R61 5K  
R62 5K  
R63 5K  
R64 5K  
R65 5K  
R66 5K  
R67 5K  
R68 5K  
R69 5K  
R70 5K  
R71 5K  
R72 5K  
R73 5K  
R74 5K  
R75 5K  
R76 5K  
R77 5K  
R78 5K  
R79 5K  
R80 5K  
R81 5K  
R82 5K  
R83 5K  
R84 5K  
R85 5K  
R86 5K  
R87 5K  
R88 5K  
R89 5K  
R90 5K  
R91 5K  
R92 5K  
R93 5K  
R94 5K  
R95 5K  
R96 5K  
R97 5K  
R98 5K  
R99 5K  
R100 5K  
C10 .01 mfd  
C11 .01 mfd  
C12 .01 mfd  
C13 .01 mfd  
C14 .01 mfd  
C15 .01 mfd  
C16 .01 mfd  
C17 .01 mfd  
C18 .01 mfd  
C19 .01 mfd  
C20 .01 mfd  
C21 .01 mfd  
C22 .01 mfd  
C23 .01 mfd  
C24 .01 mfd  
C25 .01 mfd  
C26 .01 mfd  
C27 .01 mfd  
C28 .01 mfd  
C29 .01 mfd  
C30 .01 mfd  
C31 .01 mfd  
C32 .01 mfd  
C33 .01 mfd  
C34 .01 mfd  
C35 .01 mfd  
C36 .01 mfd  
C37 .01 mfd  
C38 .01 mfd  
C39 .01 mfd  
C40 .01 mfd  
C41 .01 mfd  
C42 .01 mfd  
C43 .01 mfd  
C44 .01 mfd  
C45 .01 mfd  
C46 .01 mfd  
C47 .01 mfd  
C48 .01 mfd  
C49 .01 mfd  
C50 .01 mfd  
C51 .01 mfd  
C52 .01 mfd  
C53 .01 mfd  
C54 .01 mfd  
C55 .01 mfd  
C56 .01 mfd  
C57 .01 mfd  
C58 .01 mfd  
C59 .01 mfd  
C60 .01 mfd  
C61 .01 mfd  
C62 .01 mfd  
C63 .01 mfd  
C64 .01 mfd  
C65 .01 mfd  
C66 .01 mfd  
C67 .01 mfd  
C68 .01 mfd  
C69 .01 mfd  
C70 .01 mfd  
C71 .01 mfd  
C72 .01 mfd  
C73 .01 mfd  
C74 .01 mfd  
C75 .01 mfd  
C76 .01 mfd  
C77 .01 mfd  
C78 .01 mfd  
C79 .01 mfd  
C80 .01 mfd  
C81 .01 mfd  
C82 .01 mfd  
C83 .01 mfd  
C84 .01 mfd  
C85 .01 mfd  
C86 .01 mfd  
C87 .01 mfd  
C88 .01 mfd  
C89 .01 mfd  
C90 .01 mfd  
C91 .01 mfd  
C92 .01 mfd  
C93 .01 mfd  
C94 .01 mfd  
C95 .01 mfd  
C96 .01 mfd  
C97 .01 mfd  
C98 .01 mfd  
C99 .01 mfd  
C100 .01 mfd  
C101 .01 mfd  
C102 .01 mfd  
C103 .01 mfd  
C104 .01 mfd  
C105 .01 mfd  
C106 .01 mfd  
C107 .01 mfd  
C108 .01 mfd  
C109 .01 mfd  
C110 .01 mfd  
C111 .01 mfd  
C112 .01 mfd  
C113 .01 mfd  
C114 .01 mfd  
C115 .01 mfd  
C116 .01 mfd  
C117 .01 mfd  
C118 .01 mfd  
C119 .01 mfd  
C120 .01 mfd  
C121 .01 mfd  
C122 .01 mfd  
C123 .01 mfd  
C124 .01 mfd  
C125 .01 mfd  
C126 .01 mfd  
C127 .01 mfd  
C128 .01 mfd  
C129 .01 mfd  
C130 .01 mfd  
C131 .01 mfd  
C132 .01 mfd  
C133 .01 mfd  
C134 .01 mfd  
C135 .01 mfd  
C136 .01 mfd  
C137 .01 mfd  
C138 .01 mfd  
C139 .01 mfd  
C140 .01 mfd  
C141 .01 mfd  
C142 .01 mfd  
C143 .01 mfd  
C144 .01 mfd  
C145 .01 mfd  
C146 .01 mfd  
C147 .01 mfd  
C148 .01 mfd  
C149 .01 mfd  
C150 .01 mfd  
C151 .01 mfd  
C152 .01 mfd  
C153 .01 mfd  
C154 .01 mfd  
C155 .01 mfd  
C156 .01 mfd  
C157 .01 mfd  
C158 .01 mfd  
C159 .01 mfd  
C160 .01 mfd  
C161 .01 mfd  
C162 .01 mfd  
C163 .01 mfd  
C164 .01 mfd  
C165 .01 mfd  
C166 .01 mfd  
C167 .01 mfd  
C168 .01 mfd  
C169 .01 mfd  
C170 .01 mfd  
C171 .01 mfd  
C172 .01 mfd  
C173 .01 mfd  
C174 .01 mfd  
C175 .01 mfd  
C176 .01 mfd  
C177 .01 mfd  
C178 .01 mfd  
C179 .01 mfd  
C180 .01 mfd  
C181 .01 mfd  
C182 .01 mfd  
C183 .01 mfd  
C184 .01 mfd  
C185 .01 mfd  
C186 .01 mfd  
C187 .01 mfd  
C188 .01 mfd  
C189 .01 mfd  
C190 .01 mfd  
C191 .01 mfd  
C192 .01 mfd  
C193 .01 mfd  
C194 .01 mfd  
C195 .01 mfd  
C196 .01 mfd  
C197 .01 mfd  
C198 .01 mfd  
C199 .01 mfd  
C200 .01 mfd  
C201 .01 mfd  
C202 .01 mfd  
C203 .01 mfd  
C204 .01 mfd  
C205 .01 mfd  
C206 .01 mfd  
C207 .01 mfd  
C208 .01 mfd  
C209 .01 mfd  
C210 .01 mfd  
C211 .01 mfd  
C212 .01 mfd  
C213 .01 mfd  
C214 .01 mfd  
C215 .01 mfd  
C216 .01 mfd  
C217 .01 mfd  
C218 .01 mfd  
C219 .01 mfd  
C220 .01 mfd  
C221 .01 mfd  
C222 .01 mfd  
C223 .01 mfd  
C224 .01 mfd  
C225 .01 mfd  
C226 .01 mfd  
C227 .01 mfd  
C228 .01 mfd  
C229 .01 mfd  
C230 .01 mfd  
C231 .01 mfd  
C232 .01 mfd  
C233 .01 mfd  
C234 .01 mfd  
C235 .01 mfd  
C236 .01 mfd  
C237 .01 mfd  
C238 .01 mfd  
C239 .01 mfd  
C240 .01 mfd  
C241 .01 mfd  
C242 .01 mfd  
C243 .01 mfd  
C244 .01 mfd  
C245 .01 mfd  
C246 .01 mfd  
C247 .01 mfd  
C248 .01 mfd  
C249 .01 mfd  
C250 .01 mfd  
C251 .01 mfd  
C252 .01 mfd  
C253 .01 mfd  
C254 .01 mfd  
C255 .01 mfd  
C256 .01 mfd  
C257 .01 mfd  
C258 .01 mfd  
C259 .01 mfd  
C260 .01 mfd  
C261 .01 mfd  
C262 .01 mfd  
C263 .01 mfd  
C264 .01 mfd  
C265 .01 mfd  
C266 .01 mfd  
C267 .01 mfd  
C268 .01 mfd  
C269 .01 mfd  
C270 .01 mfd  
C271 .01 mfd  
C272 .01 mfd  
C273 .01 mfd  
C274 .01 mfd  
C275 .01 mfd  
C276 .01 mfd  
C277 .01 mfd  
C278 .01 mfd  
C279 .01 mfd  
C280 .01 mfd  
C281 .01 mfd  
C282 .01 mfd  
C283 .01 mfd  
C284 .01 mfd  
C285 .01 mfd  
C286 .01 mfd  
C287 .01 mfd  
C288 .01 mfd  
C289 .01 mfd  
C290 .01 mfd  
C291 .01 mfd  
C292 .01 mfd  
C293 .01 mfd  
C294 .01 mfd  
C295 .01 mfd  
C296 .01 mfd  
C297 .01 mfd  
C298 .01 mfd  
C299 .01 mfd  
C300 .01 mfd  
C301 .01 mfd  
C302 .01 mfd  
C303 .01 mfd  
C304 .01 mfd  
C305 .01 mfd  
C306 .01 mfd  
C307 .01 mfd  
C308 .01 mfd  
C309 .01 mfd  
C310 .01 mfd  
C311 .01 mfd  
C312 .01 mfd  
C313 .01 mfd  
C314 .01 mfd  
C315 .01 mfd  
C316 .01 mfd  
C317 .01 mfd  
C318 .01 mfd  
C319 .01 mfd  
C320 .01 mfd  
C321 .01 mfd  
C322 .01 mfd  
C323 .01 mfd  
C324 .01 mfd  
C325 .01 mfd  
C326 .01 mfd  
C327 .01 mfd  
C328 .01 mfd  
C329 .01 mfd  
C330 .01 mfd  
C331 .01 mfd  
C332 .01 mfd  
C333 .01 mfd  
C334 .01 mfd  
C335 .01 mfd  
C336 .01 mfd  
C337 .01 mfd  
C338 .01 mfd  
C339 .01 mfd  
C340 .01 mfd  
C341 .01 mfd  
C342 .01 mfd  
C343 .01 mfd  
C344 .01 mfd  
C345 .01 mfd  
C346 .01 mfd  
C347 .01 mfd  
C348 .01 mfd  
C349 .01 mfd  
C350 .01 mfd  
C351 .01 mfd  
C352 .01 mfd  
C353 .01 mfd  
C354 .01 mfd  
C355 .01 mfd  
C356 .01 mfd  
C357 .01 mfd  
C358 .01 mfd  
C359 .01 mfd  
C360 .01 mfd  
C361 .01 mfd  
C362 .01 mfd  
C363 .01 mfd  
C364 .01 mfd  
C365 .01 mfd  
C366 .01 mfd  
C367 .01 mfd  
C368 .01 mfd  
C369 .01 mfd  
C370 .01 mfd  
C371 .01 mfd  
C372 .01 mfd  
C373 .01 mfd  
C374 .01 mfd  
C375 .01 mfd  
C376 .01 mfd  
C377 .01 mfd  
C378 .01 mfd  
C379 .01 mfd  
C380 .01 mfd  
C381 .01 mfd  
C382 .01 mfd  
C383 .01 mfd  
C384 .01 mfd  
C385 .01 mfd  
C386 .01 mfd  
C387 .01 mfd  
C388 .01 mfd  
C389 .01 mfd  
C390 .01 mfd  
C391 .01 mfd  
C392 .01 mfd  
C393 .01 mfd  
C394 .01 mfd  
C395 .01 mfd  
C396 .01 mfd  
C397 .01 mfd  
C398 .01 mfd  
C399 .01 mfd  
C400 .01 mfd  
C401 .01 mfd  
C402 .01 mfd  
C403 .01 mfd  
C404 .01 mfd  
C405 .01 mfd  
C406 .01 mfd  
C407 .01 mfd  
C408 .01 mfd  
C409 .01 mfd  
C410 .01 mfd  
C411 .01 mfd  
C412 .01 mfd  
C413 .01 mfd  
C414 .01 mfd  
C415 .01 mfd  
C416 .01 mfd  
C417 .01 mfd  
C418 .01 mfd  
C419 .01 mfd  
C420 .01 mfd  
C421 .01 mfd  
C422 .01 mfd  
C423 .01 mfd  
C424 .01 mfd  
C425 .01 mfd  
C426 .01 mfd  
C427 .01 mfd  
C428 .01 mfd  
C429 .01 mfd  
C430 .01 mfd  
C431 .01 mfd  
C432 .01 mfd  
C433 .01 mfd  
C434 .01 mfd  
C435 .01 mfd  
C436 .01 mfd  
C437 .01 mfd  
C438 .01 mfd  
C439 .01 mfd  
C440 .01 mfd  
C441 .01 mfd  
C442 .01 mfd  
C443 .01 mfd  
C444 .01 mfd  
C445 .01 mfd  
C446 .01 mfd  
C447 .01 mfd  
C448 .01 mfd  
C449 .01 mfd  
C450 .01 mfd  
C451 .01 mfd  
C452 .01 mfd  
C453 .01 mfd  
C454 .01 mfd  
C455 .01 mfd  
C456 .01 mfd  
C457 .01 mfd  
C458 .01 mfd  
C459 .01 mfd  
C460 .01 mfd  
C461 .01 mfd  
C462 .01 mfd  
C463 .01 mfd  
C464 .01 mfd  
C465 .01 mfd  
C466 .01 mfd  
C467 .01 mfd  
C468 .01 mfd  
C469 .01 mfd  
C470 .01 mfd  
C471 .01 mfd  
C472 .01 mfd  
C473 .01 mfd  
C474 .01 mfd  
C475 .01 mfd  
C476 .01 mfd  
C477 .01 mfd  
C478 .01 mfd  
C479 .01 mfd  
C480 .01 mfd  
C481 .01 mfd  
C482 .01 mfd  
C483 .01 mfd  
C484 .01 mfd  
C485 .01 mfd  
C486 .01 mfd  
C487 .01 mfd  
C488 .01 mfd  
C489 .01 mfd  
C490 .01 mfd  
C491 .01 mfd  
C492 .01 mfd  
C493 .01 mfd  
C494 .01 mfd  
C495 .01 mfd  
C496 .01 mfd  
C497 .01 mfd  
C498 .01 mfd  
C499 .01 mfd  
C500 .01 mfd  
C501 .01 mfd  
C502 .01 mfd  
C503 .01 mfd  
C504 .01 mfd  
C505 .01 mfd  
C506 .01 mfd  
C507 .01 mfd  
C508 .01 mfd  
C509 .01 mfd  
C510 .01 mfd  
C511 .01 mfd  
C512 .01 mfd  
C513 .01 mfd  
C514 .01 mfd  
C515 .01 mfd  
C516 .01 mfd  
C517 .01 mfd  
C518 .01 mfd  
C519 .01 mfd  
C520 .01 mfd  
C521 .01 mfd  
C522 .01 mfd  
C523 .01 mfd  
C524 .01 mfd  
C525 .01 mfd  
C526 .01 mfd  
C527 .01 mfd  
C528 .01 mfd  
C529 .01 mfd  
C530 .01 mfd  
C531 .01 mfd  
C532 .01 mfd  
C533 .01 mfd  
C534 .01 mfd  
C535 .01 mfd  
C536 .01 mfd  
C537 .01 mfd  
C538 .01 mfd  
C539 .01 mfd  
C540 .01 mfd  
C541 .01 mfd  
C542 .01 mfd  
C543 .01 mfd  
C544 .01 mfd  
C545 .01 mfd  
C546 .01 mfd  
C547 .01 mfd  
C548 .01 mfd  
C549 .01 mfd  
C550 .01 mfd  
C551 .01 mfd  
C552 .01 mfd  
C553 .01 mfd  
C554 .01 mfd  
C555 .01 mfd  
C556 .01 mfd  
C557 .01 mfd  
C558 .01 mfd  
C559 .01 mfd  
C560 .01 mfd  
C561 .01 mfd  
C562 .01 mfd  
C563 .01 mfd  
C564 .01 mfd  
C565 .01 mfd  
C566 .01 mfd  
C567 .01 mfd  
C568 .01 mfd  
C569 .01 mfd  
C570 .01 mfd  
C571 .01 mfd  
C572 .01 mfd  
C573 .01 mfd  
C574 .01 mfd  
C575 .01 mfd  
C576 .01 mfd  
C577 .01 mfd  
C578 .01 mfd  
C579 .01 mfd  
C580 .01 mfd  
C581 .01 mfd  
C582 .01 mfd  
C583 .01 mfd  
C584 .01 mfd  
C585 .01 mfd  
C586 .01 mfd  
C587 .01 mfd  
C588 .01 mfd  
C589 .01 mfd  
C590 .01 mfd  
C591 .01 mfd  
C592 .01 mfd  
C593 .01 mfd  
C594 .01 mfd  
C595 .01 mfd  
C596 .01 mfd  
C597 .01 mfd  
C598 .01 mfd  
C599 .01 mfd  
C600 .01 mfd  
C601 .01 mfd  
C602 .01 mfd  
C603 .01 mfd  
C604 .01 mfd  
C605 .01 mfd  
C606 .01 mfd  
C607 .01 mfd  
C608 .01 mfd  
C609 .01 mfd  
C610 .01 mfd  
C611 .01 mfd  
C612 .01 mfd  
C613 .01 mfd  
C614 .01 mfd  
C615 .01 mfd  
C616 .01 mfd  
C617 .01 mfd  
C618 .01 mfd  
C619 .01 mfd  
C620 .01 mfd  
C621 .01 mfd  
C622 .01 mfd  
C623 .01 mfd  
C624 .01 mfd  
C625 .01 mfd  
C626 .01 mfd  
C627 .01 mfd  
C628 .01 mfd  
C629 .01 mfd  
C630 .01 mfd  
C631 .01 mfd  
C632 .01 mfd  
C633 .01 mfd  
C634 .01 mfd  
C635 .01 mfd  
C636 .01 mfd  
C637 .01 mfd  
C638 .01 mfd  
C639 .01 mfd  
C640 .01 mfd  
C641 .01 mfd  
C642 .01 mfd  
C643 .01 mfd  
C644 .01 mfd  
C645 .01 mfd  
C646 .01 mfd  
C647 .01 mfd  
C648 .01 mfd  
C649 .01 mfd  
C650 .01 mfd  
C651 .01 mfd  
C652 .01 mfd  
C653 .01 mfd  
C654 .01 mfd  
C655 .01 mfd  
C656 .01 mfd  
C657 .01 mfd  
C658 .01 mfd  
C659 .01 mfd  
C660 .01 mfd  
C661 .01 mfd  
C662 .01 mfd  
C663 .01 mfd  
C664 .01 mfd  
C665 .01 mfd  
C666 .01 mfd  
C667 .01 mfd  
C668 .01 mfd  
C669 .01 mfd  
C670 .01 mfd  
C671 .01 mfd  
C672 .01 mfd  
C673 .01 mfd  
C674 .01 mfd  
C675 .01 mfd  
C676 .01 mfd  
C677 .01 mfd  
C678 .01 mfd  
C679 .01 mfd  
C680 .01 mfd  
C681 .01 mfd  
C682 .01 mfd  
C683 .01 mfd  
C684 .01 mfd  
C685 .01 mfd  
C686 .01 mfd  
C687 .01 mfd  
C688 .01 mfd  
C689 .01 mfd  
C690 .01 mfd  
C691 .01 mfd  
C692 .01 mfd  
C693 .01 mfd  
C694 .01 mfd  
C695 .01 mfd  
C696 .01 mfd  
C697 .01 mfd  
C698 .01 mfd  
C699 .01 mfd  
C700 .01 mfd  
C701 .01 mfd  
C702 .01 mfd  
C703 .01 mfd  
C704 .01 mfd  
C705 .01 mfd  
C706 .01 mfd  
C707 .01 mfd  
C708 .01 mfd  
C709 .01 mfd  
C710 .01 mfd  
C711 .01 mfd  
C712 .01 mfd  
C713 .01 mfd  
C714 .01 mfd  
C715 .01 mfd  
C716 .01 mfd  
C717 .01 mfd  
C718 .01 mfd  
C719 .01 mfd  
C720 .01 mfd  
C721 .01 mfd  
C722 .01 mfd  
C723 .01 mfd  
C724 .01 mfd  
C725 .01 mfd  
C726 .01 mfd  
C727 .01 mfd  
C728 .01 mfd  
C729 .01 mfd  
C730 .01 mfd  
C731 .01 mfd  
C732 .01 mfd  
C733 .01 mfd  
C734 .01 mfd  
C735 .01 mfd  
C736 .01 mfd  
C737 .01 mfd  
C738 .01 mfd  
C739 .01 mfd  
C740 .01 mfd  
C741 .01 mfd  
C742 .01 mfd  
C743 .01 mfd  
C744 .01 mfd  
C745 .01 mfd  
C746 .01 mfd  
C747 .01 mfd  
C748 .01 mfd  
C749 .01 mfd  
C750 .01 mfd  
C751 .01 mfd  
C752 .01 mfd  
C753 .01 mfd  
C754 .01 mfd  
C755 .01 mfd  
C756 .01 mfd  
C757 .01 mfd  
C758 .01 mfd  
C759 .01 mfd  
C760 .01 mfd  
C761 .01 mfd  
C762 .01 mfd  
C763 .01 mfd  
C764 .01 mfd  
C765 .01 mfd  
C766 .01 mfd  
C767 .01 mfd  
C768 .01 mfd  
C769 .01 mfd  
C770 .01 mfd  
C771 .01 mfd  
C772 .01 mfd  
C773 .01 mfd  
C774 .01 mfd  
C775 .01 mfd  
C776 .01 mfd  
C777 .01 mfd  
C778 .01 mfd  
C779 .01 mfd  
C780 .01 mfd  
C781 .01 mfd  
C782 .01 mfd  
C783 .01 mfd  
C784 .01 mfd  
C785 .01 mfd  
C786 .01 mfd  
C787 .01 mfd  
C788 .01 mfd  
C789 .01 mfd  
C790 .01 mfd  
C791 .01 mfd  
C792 .01 mfd  
C793 .01 mfd  
C794 .01 mfd  
C795 .01 mfd  
C796 .01 mfd  
C797 .01 mfd  
C798 .01 mfd  
C799 .01 mfd  
C800 .01 mfd  
C801 .01 mfd  
C802 .01 mfd  
C803 .01 mfd  
C804 .01 mfd  
C805 .01 mfd  
C806 .01 mfd  
C807 .01 mfd  
C808 .01 mfd  
C809 .01 mfd  
C810 .01 mfd  
C811 .01 mfd  
C812 .01 mfd  
C813 .01 mfd  
C814 .01 mfd  
C815 .01 mfd  
C816 .01 mfd  
C817 .01 mfd  
C818 .01 mfd  
C819 .01 mfd  
C820 .01 mfd  
C821 .01 mfd  
C822 .01 mfd  
C823 .01 mfd  
C824 .01 mfd  
C825 .01 mfd  
C826 .01 mfd  
C827 .01 mfd  
C828 .01 mfd  
C829 .01 mfd  
C830 .01 mfd  
C831 .01 mfd  
C832 .01 mfd  
C833 .01 mfd  
C834 .01 mfd  
C835 .01 mfd  
C836 .01 mfd  
C837 .01 mfd  
C838 .01 mfd  
C839 .01 mfd  
C840 .01 mfd  
C841 .01 mfd  
C842 .01 mfd  
C843 .01 mfd  
C844 .01 mfd  
C845 .01 m